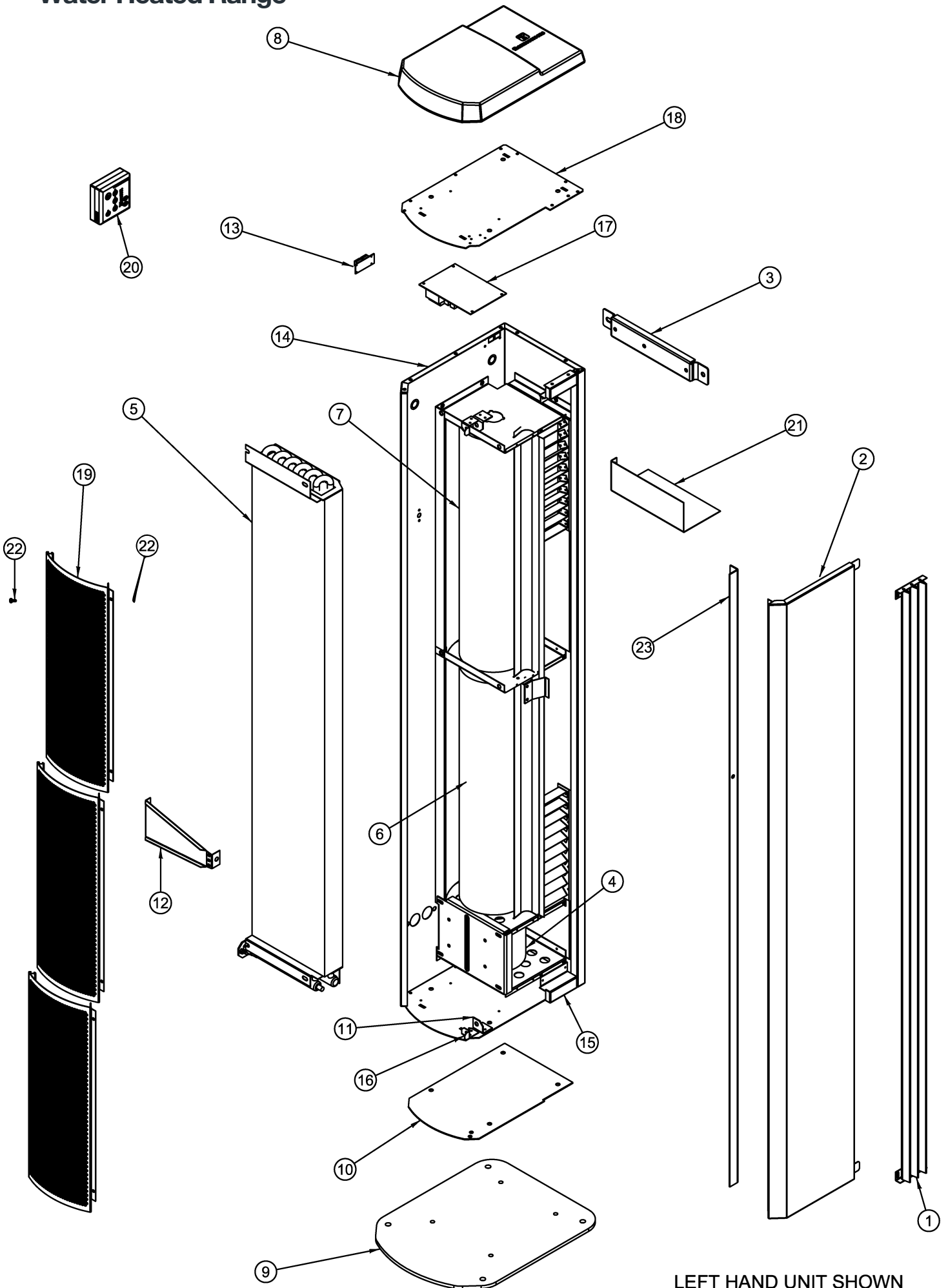


PHV Series Vertical.

Left hand installation
Water Heated Range



LEFT HAND UNIT SHOWN

PHV Series Vertical.

Left hand installation
Water Heated Range

Item No.	Description	PHV1000NT - Part No.	PHV1500NT - Part No.	PHV2000NT - Part No.
1	OUTLET GRILLE	5332270	5332280	5332270
2	FRONT PANEL	6791720	6791700	6791710
3	WALL BRACKET	6532200	6532200	6532200
4	MOTOR	7551710	7551730	7551710
5	WATER COIL	7101510	7101530	7101550
6	MOTOR END IMPELLOR	7421270	5441610	7421270
7	DRIVEN END IMPELLOR	7421271	5441620	7421271
8	END CAP - RH	-	7661203	7661203
9	MOUNTING PLATE	-	6811820	6811820
10	MOUNTING SPACER PLATE	6862500	6862500	6862500
11	STRENGTHENER BRACKET RH/LH	6721650 / 6721655	6721650 / 6721655	6721650 / 6721655
12	CASE STIFFENER	-	6341235	6341235
13	RJ SOCKET	5951010	5951010	5951010
14	BACK CASE	6021800	6021840	6021880
15	INFILL PIECE END BRACKET LH/RH	6341202 / 6341203	6341202 / 6341203	6341202 / 6341203
16	INLET PANEL RETAINER LH/RH	6341212 / 6341213	6341212 / 6341213	6341212 / 6341213
17	ECOPOWER BOARD	7263701	7263701	7263701
18	END PLATE	6862405	6862405	6862405
19	INLET GRILLE	5312270	5312270	5312270
20	ECOPOWER REMOTE CONTROL	-	7263630	7263630
21	ELECTRIC TERMINAL COVER	5071100	5071100	5071100
22	SCREW & WASHER	7362041 / 7392030	7362041 / 7392030	7362041 / 7392030
23	VERTICAL STRENGTHENER	6721660	6721665	6721670