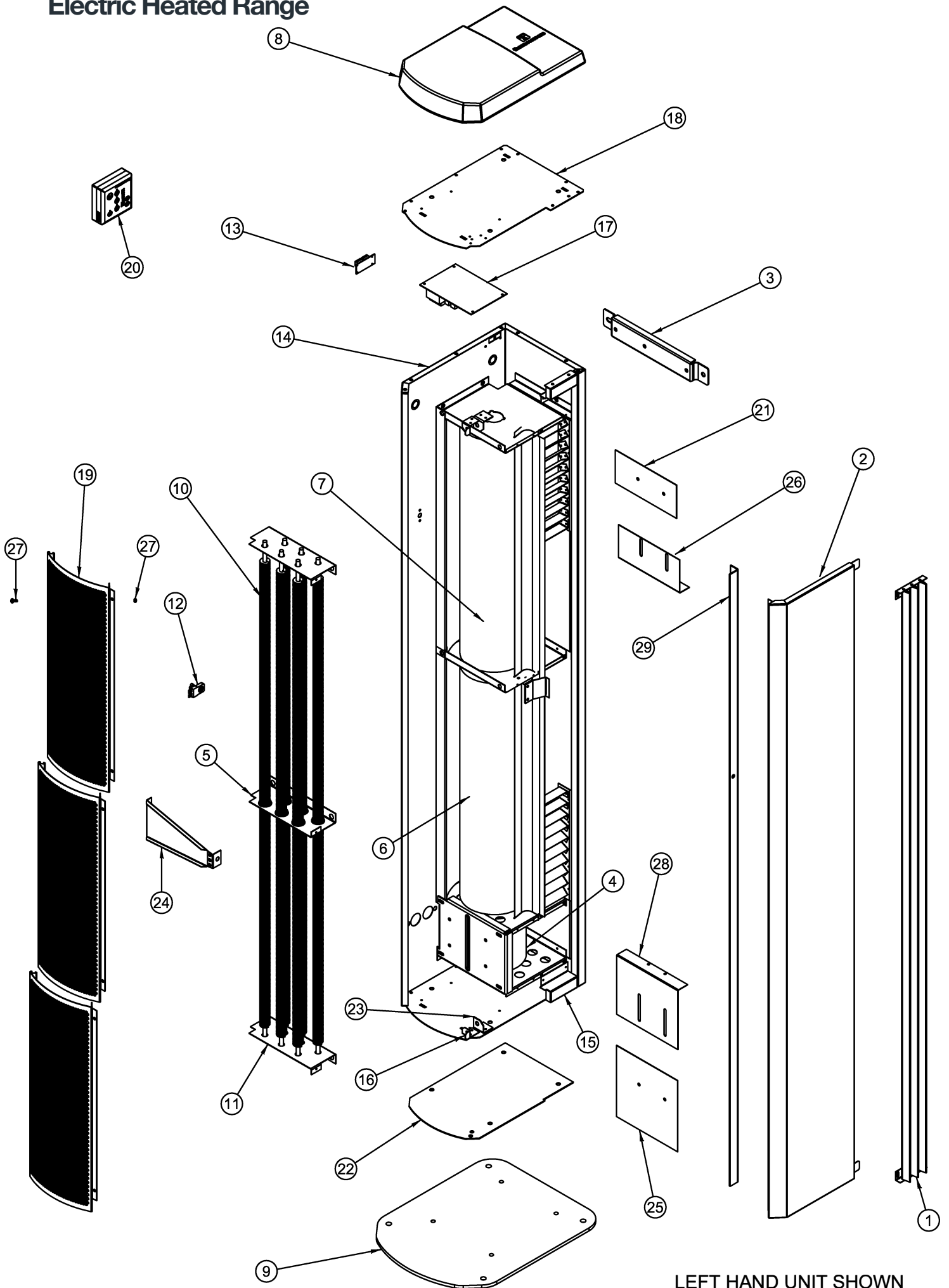


PHV Series Vertical.

Left hand installation
Electric Heated Range

Thermoscreens



LEFT HAND UNIT SHOWN

PHV Series Vertical.

Left hand installation
Electric Heated Range

Thermoscreens


Item No.	Description	PHV1000NT - Part No.	PHV1500NT - Part No.	PHV2000NT - Part No.
1	OUTLET GRILLE	5332270	5332280	5332270
2	FRONT PANEL	6791720	6791700	6791710
3	WALL BRACKET	6532200	6532200	6532200
4	MOTOR	7551710	7551730	7551710
5	ELEMENT CENTRE SUPPORT	6821550	N/A	6821550
6	MOTOR END IMPELLOR	7421270	5441610	7421270
7	DRIVEN END IMPELLOR	7421271	5441620	7421271
8	END CAP - RH	-	7661203	7661203
9	MOUNTING PLATE	-	6811820	6811820
10	ELEMENT	7292212	7292231	7292212
11	ELEMENT BRACKET	6211650	6211650	6211650
12	THERMAL CUT OUT	7851115	7851115	7851115
13	RJ SOCKET	5951010	5951010	5951010
14	BACK CASE	6021800	6021840	6021880
15	INFILL PIECE END BRACKET LH/RH	6341202 / 6341203	6341202 / 6341203	6341202 / 6341203
16	INLET PANEL RETAINER LH/RH	6341212 / 6341213	6341212 / 6341213	6341212 / 6341213
17	ECOPOWER BOARD	7263701	7263701	7263701
18	END PLATE	6862405	6862405	6862405
19	INLET GRILLE	5312270	5312270	5312270
20	ECOPOWER REMOTE CONTROL	-	7263630	7263630
21	ELECTRIC TERMINAL COVER	5071086	5071086	5071086
22	MOUNTING SPACER PLATE	6862500	6862500	6862500
23	STRENGTHENER BRACKET RH/LH	6721650 / 6721655	6721650 / 6721655	6721650 / 6721655
24	CASE STIFFENER	-	6341235	6341235
25	ELECTRIC ELEMENT COVER	5071080	5071080	5071080
26	MAINS TERMINAL COVER BRACKET	5071065	5071065	5071065
27	SCREW & WASHER	7362041 / 7392030	7362041 / 7392030	7362041 / 7392030
28	MAINS TERMINAL COVER BRACKET	5071060	5071060	5071060
29	VERTICAL STRENGTHENER	-	6721665	6721670