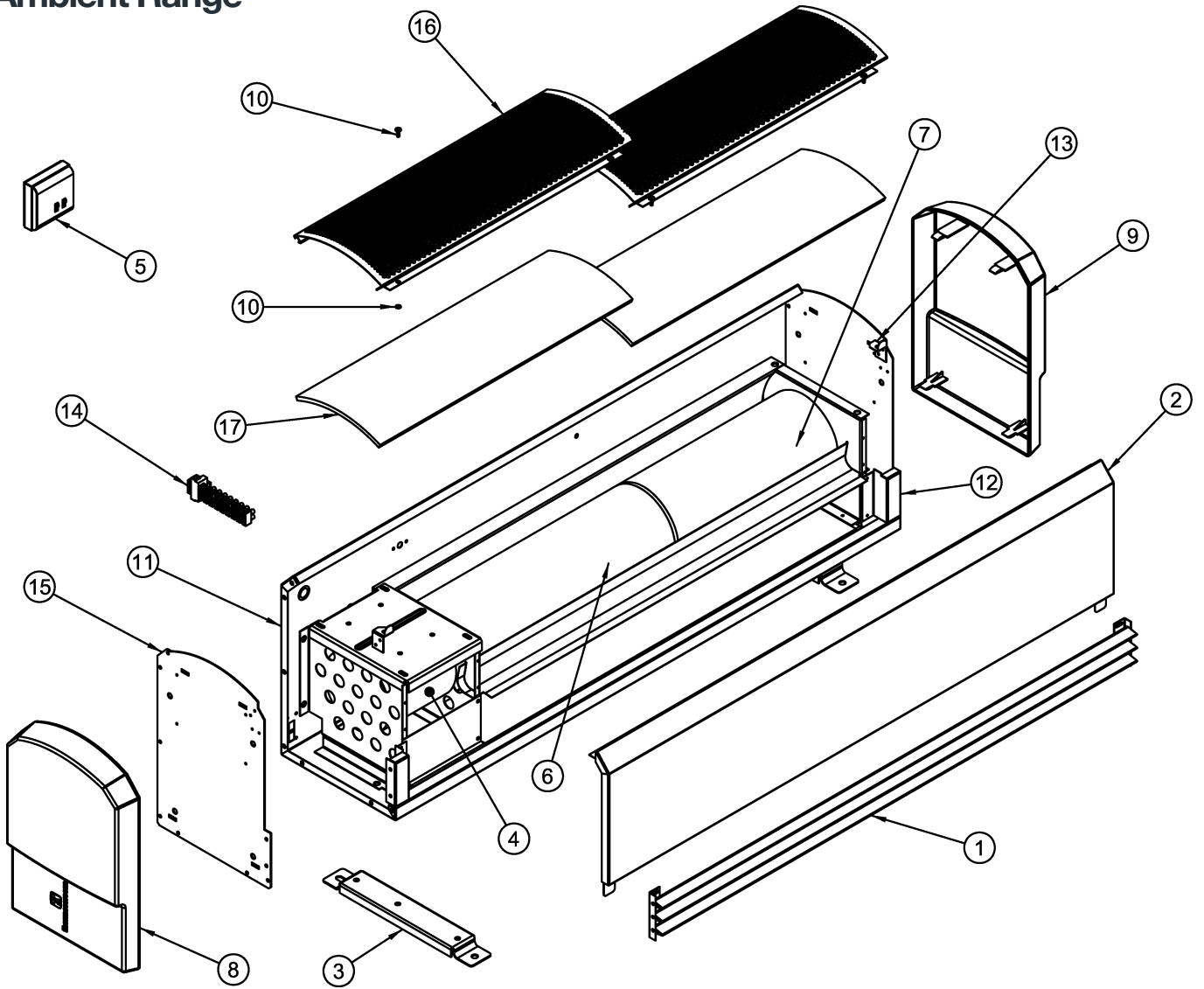


PHV Series Surface Mounted.

Ambient Range



Item No.	Description	PHV1000NT - Part No.	PHV1500NT - Part No.	PHV2000NT - Part No.
1	OUTLET GRILLE	5332270	5332280	5332270
2	FRONT PANEL	6791670	6791680	6791690
3	WALL BRACKET	6532200	6532200	6532200
4	MOTOR	7551710	7551730	7551710
5	MANUAL REMOTE CONTROL	7263660	7263660	7263660
6	MOTOR END IMPELLOR	7421270	5441610	7421270
7	DRIVEN END IMPELLOR	7421271	5441620	7421271
8	END CAP - LH	7661202	7661202	7661202
9	END CAP - RH	7661203	7661203	7661203
10	SCREW & WASHER	7362041 / 7392030	7362041 / 7392030	7362041 / 7392030
11	BACK CASE	6021670	6021680	6021690
12	INFILL PIECE END BRACKET LH/RH	6341202 / 6341203	6341202 / 6341203	6341202 / 6341203
13	INLET PANEL RETAINER LH/RH	6341212 / 6341213	6341212 / 6341213	6341212 / 6341213
14	CONTROL PANEL & LOOM	5141950	5141950	5141960
15	END PLATE	6862405	6862405	6862405
16	INLET GRILLE	5312270	5312270	5312270
17	FILTER (OPTIONAL EXTRA)	7402510	7402510	7402510