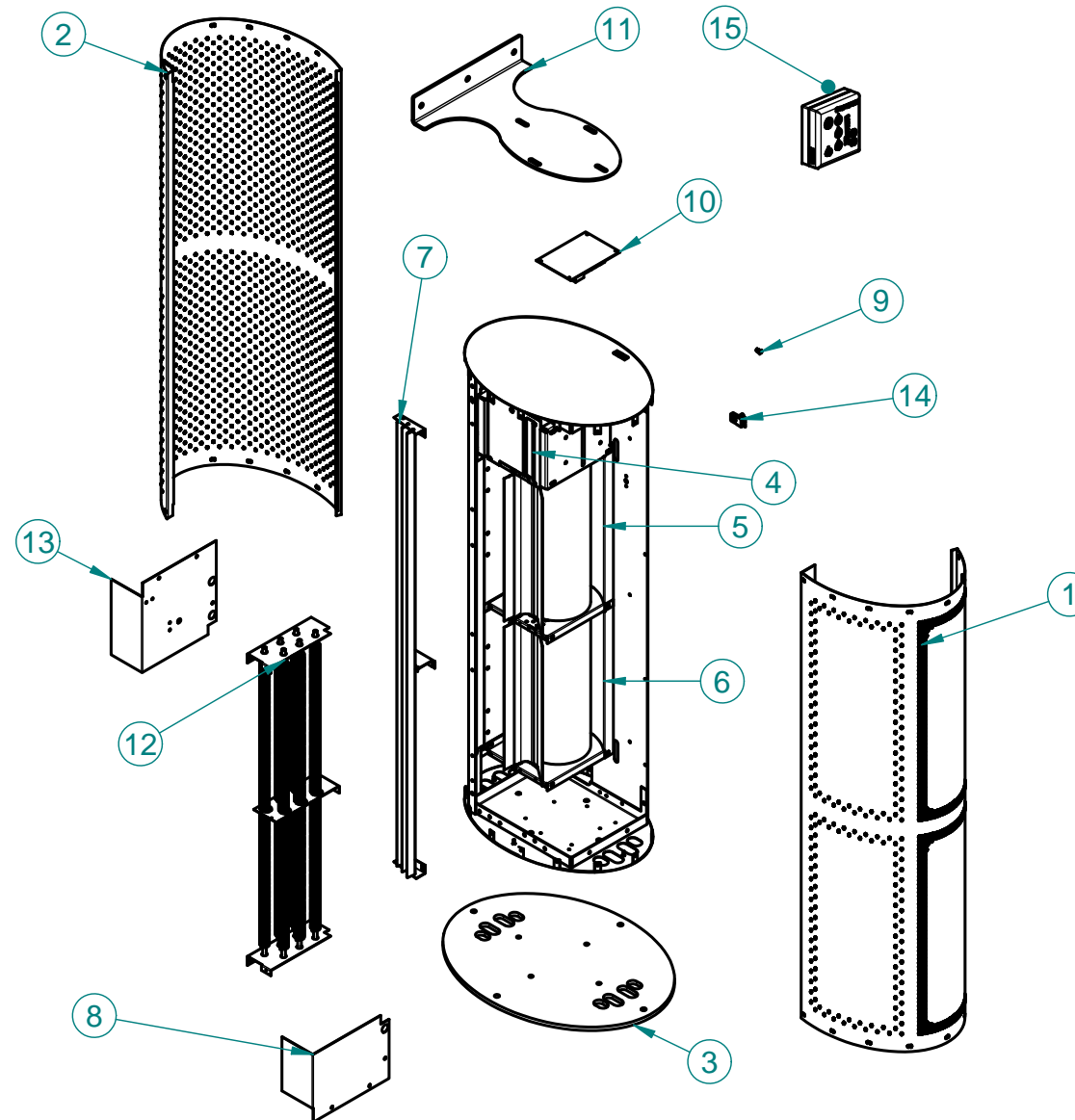


PHV Series Designer.

Vertical Electrical Heated Range

Right hand installation



Item No.	Description	PHV D1000E P/N.	PHV D1500E E P/N.	PHV D2000E P/N.
1	INLET CASE	T5061510	T5062510	T5063510
2	BACK CASE	T5061505	T5062505	T5063505
3	BASE PLATE	T6811930	T6811930	T6811930
4	MOTOR	T7551710	T7551730	T7551710
5	MOTOR END IMPELLOR	T7421270	T5441610	T7421270
6	DRIVEN END IMPELLOR	T7421271	T5441620	T7421271
7	OUTLET GRILL	T5315010	T5315030	T5315050
8	END COVER LOWER	T5072240	T5072240	T5072240
9	CASE COVER FIXING SCREW	T7362042	T7362042	T7362042
10	ECOPOWER BOARD	T7263701	T7263701	T7263701
11	ADJUSTABLE TOP BRACKET OPTIONAL	T6811960	T6811960	T6811960
12	ELECTRIC ELEMENTS	T7292212	T7292231	T7292212
13	END COVER UPPER	T5072230	T5072230	T5072230
14	THERMAL CUT OUT	T7851115	T7851115	T7851115
15	ECOPOWER REMOTE CONTROL	T7263630	T7263630	T7263630