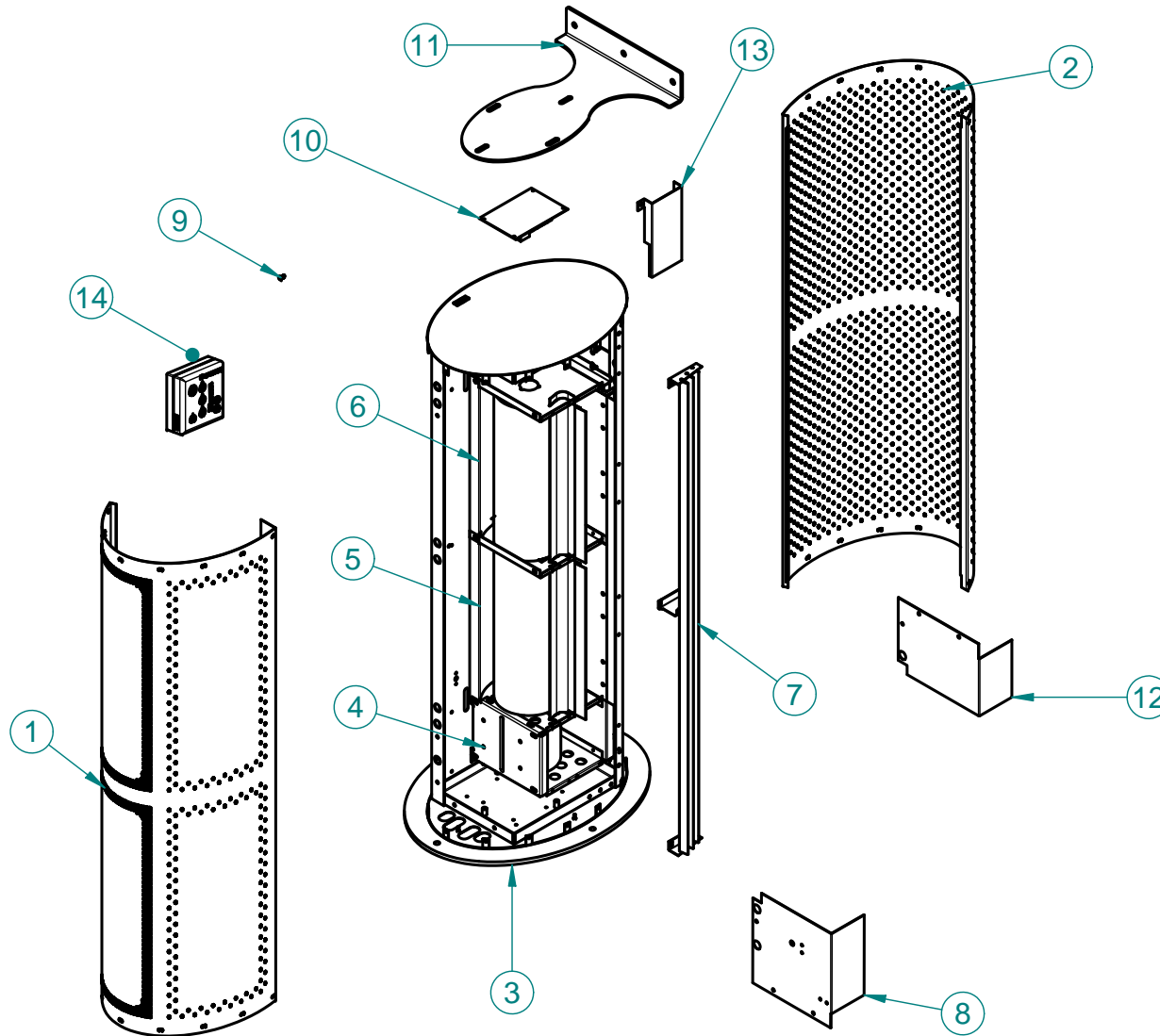


# PHV Series Designer.

## Vertical Ambient Range

Left hand installation

Thermoscreens



Item No.	Description	PHV D1000A P/N.	PHV D1500A P/N.	PHV 2000A P/N.
1	INLET CASE	T5061510	T5062510	T5063510
2	BACK CASE	T5061505	T5062505	T5063505
3	BASE PLATE	T6811930	T6811930	T6811930
4	MOTOR	T7551710	T7551730	T7551710
5	MOTOR END IMPELLOR	T7421270	T5441610	T7421270
6	DRIVEN END IMPELLOR	T7421271	T5441620	T7421271
7	OUTLET GRILL	T5315020	T5315040	T5315060
8	END COVER LOWER	T5072240	T5072240	T5072240
9	CASE COVER FIXING SCREW	T7362042	T7362042	T7362042
10	ECO POWER BOARD	T7263701	T7263701	T7263701
11	ADJUSTABLE TOP BRACKET OPTIONAL	T6811960	T6811960	T6811960
12	END COVER UPPER	T5072230	T5072230	T5072230
13	TERMINAL COVER	T5072210	T5072210	T5072210
14	ECOPOWER REMOTE CONTROL	T7263630	T7263630	T7263630