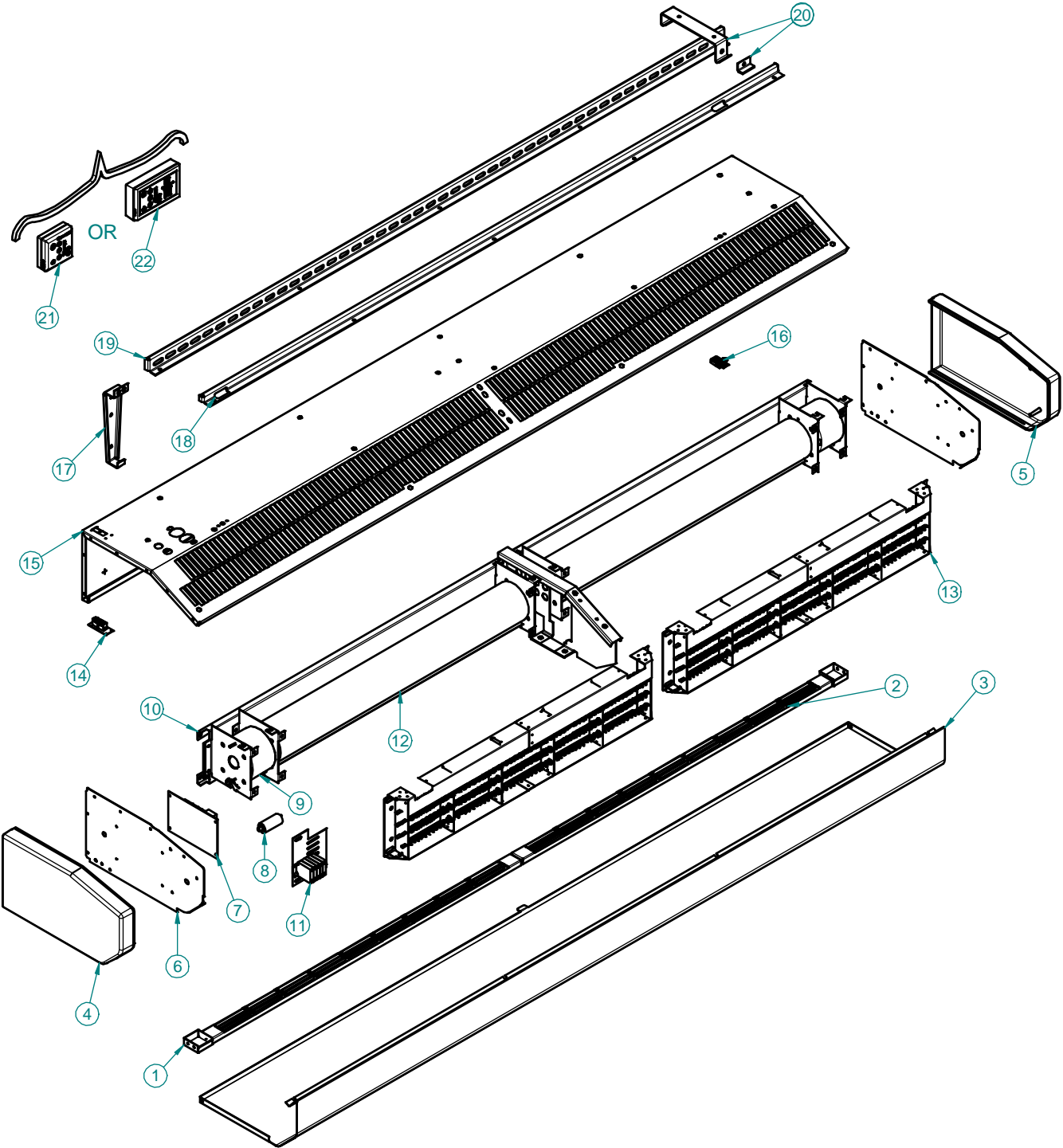




Compact 2 Series Surface Mounted.

Electric Heated Range



Compact 2 Series Surface Mounted.

Electric Heated Range

Item No.	Description	C2-1000E - Part No.	C2-1500E - Part No.	C2-2000E - Part No.	C2-2500E - Part No.
1	INFILL PIECE END BRACKET LH/RH	7402522 / 7402523	7402526 / 7402529	7402536 / 7402535	7402527 / 7402528
2	OUTLET GRILLE (SHORT/LONG)	5332900	(5332901 / 5332902)	5332900	5332900 /(5332901/2)
3	FRONT PANEL	6790655	6790657	6790658	6790659
4	PLASTIC END CAP - LH	7661210	7661210	7661210	7661210
5	PLASTIC END CAP - RH	7661215	7661215	7661215	7661215
6	END PLATE LH/RH	6862510 / 6862515	6862510 / 6862515	6862510 / 6862515	6862510 / 6862515
7	ECOPOWER v9 PCB	7263701	7263701	7263701	7263701
8	CAPACITOR	7080030	7080041	7080030	7080030 / 7080041
9	MOTOR	7551201	7551201	7551201	7551201
10	FAN DECK ASSY LH/RH	6641550	6641600	6641550 / 6641551	6641550 / 6641600
11	ECO CONTROL PANEL	5141530	5141530	5141550	5141519
12	IMPELLOR LH/RH	7421240	7421250 / 7421251	7421240 / 7421241	7421240 /(7421250/51)
13	ELEMENT	7293300	7293350	7293300 / 7293400	723300 / 7293350
14	RJ SOCKET	5951010	5951010	5951010	5951010
15	BACK CASE	6790660	6790667	6790668	6790670
16	THERMAL CUT OUT	7851115	7851115	7851115	7851115
17	WALL HANGING BRACKET	6030652	6030652	6030652	6030652
18	FRONT HANGING RAIL	6030665	6030675	6030685	6030695
19	REAR HANGING RAIL	6030660	6030670	6030680	6030690
20	CEILING HANGING (LOCK) BRACKET	6030647 (6030654)	6030647 (6030654)	6030647 (6030654)	6030647 (6030654)
21	ECOPOWER REMOTE CONTROL (OPTION)	7263630	7263630	7263630	7263630
22	ECOPOWER PLUS REMOTE CONTROL (OPTION)	7263640	7263640	7263640	7263640