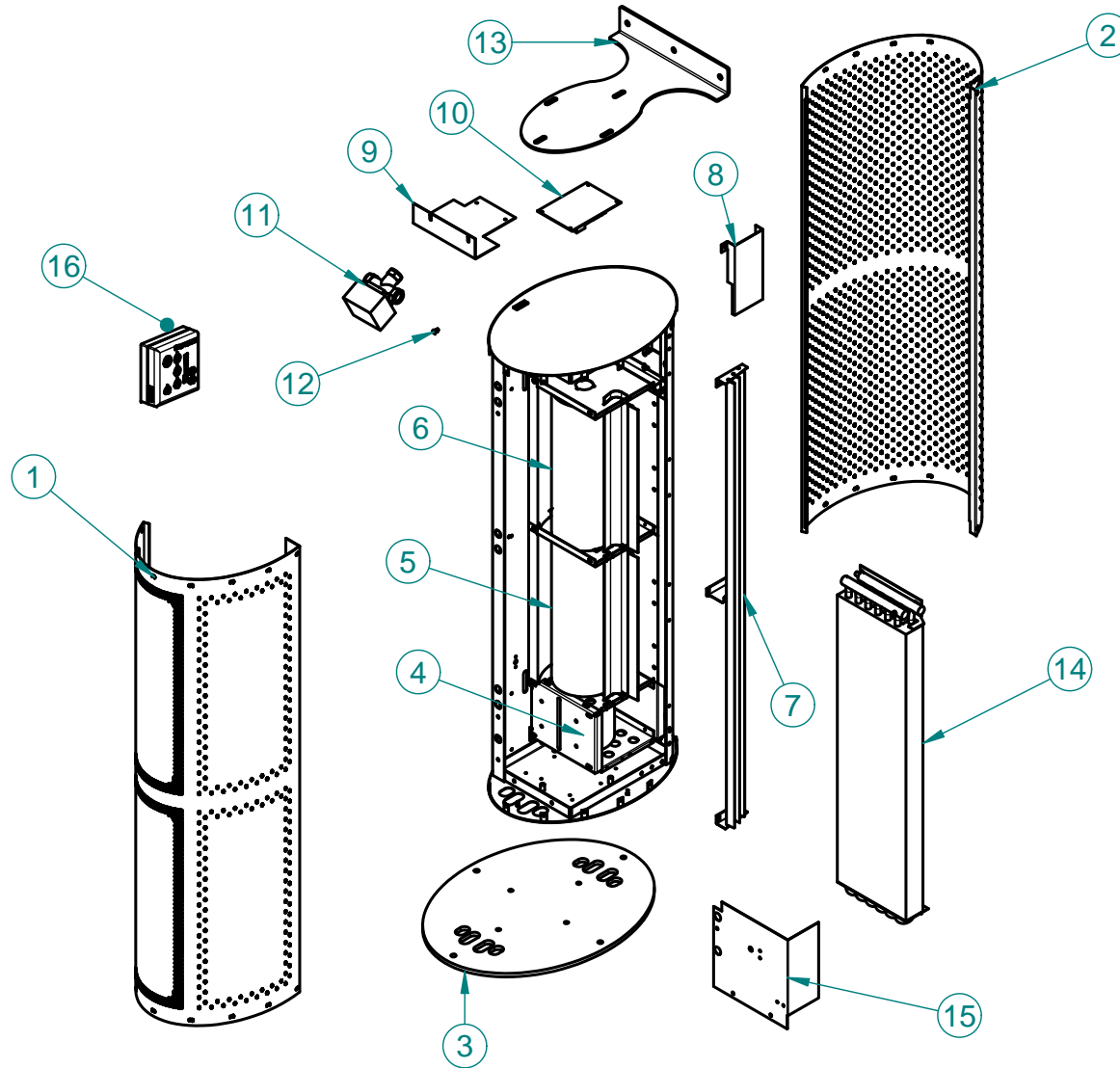


PHV Series Designer.

Vertical Water Heated Range

Left hand installation



Item No.	Description	PHV D1000W P/N.	PHV D1500W P/N.	PHV D2000 W P/N.
1	INLET CASE	T5061510	T5062510	T5063510
2	BACK CASE	T5061505	T5062505	T5063505
3	BASE PLATE	T6811930	T6811930	T6811930
4	MOTOR	T7551710	T7551730	T7551710
5	MOTOR END IMPELLOR	T7421270	T5441610	T7421270
6	DRIVEN END IMPELLOR	T7421271	T5441620	T7421271
7	OUTLET GRILL	T5315020	T5315040	T5315060
8	TERMINAL COVER	T5072210	T5072210	T5072210
9	PCB SPLASH COVER	T5072241	T5072241	T5072241
10	ECOPOWER BOARD	T7263701	T7263701	T7263701
11	THREE WAY VALVE	T7760111	T7760111	T7760111
12	CASE COVER FIXING SCREW	T7362042	T7362042	T7362042
13	ADJUSTABLE TOP BRACKET OPTIONAL	T6811960	T6811960	T6811960
14	WATER COIL BASE ENTRY V L/H 82/72	T7101463	T7101467	T7101471
15	END COVER LOWER	T5072230	T5072230	T5072230
16	ECOPOWER REMOTE CONTROL	T7263630	T7263630	T7263630