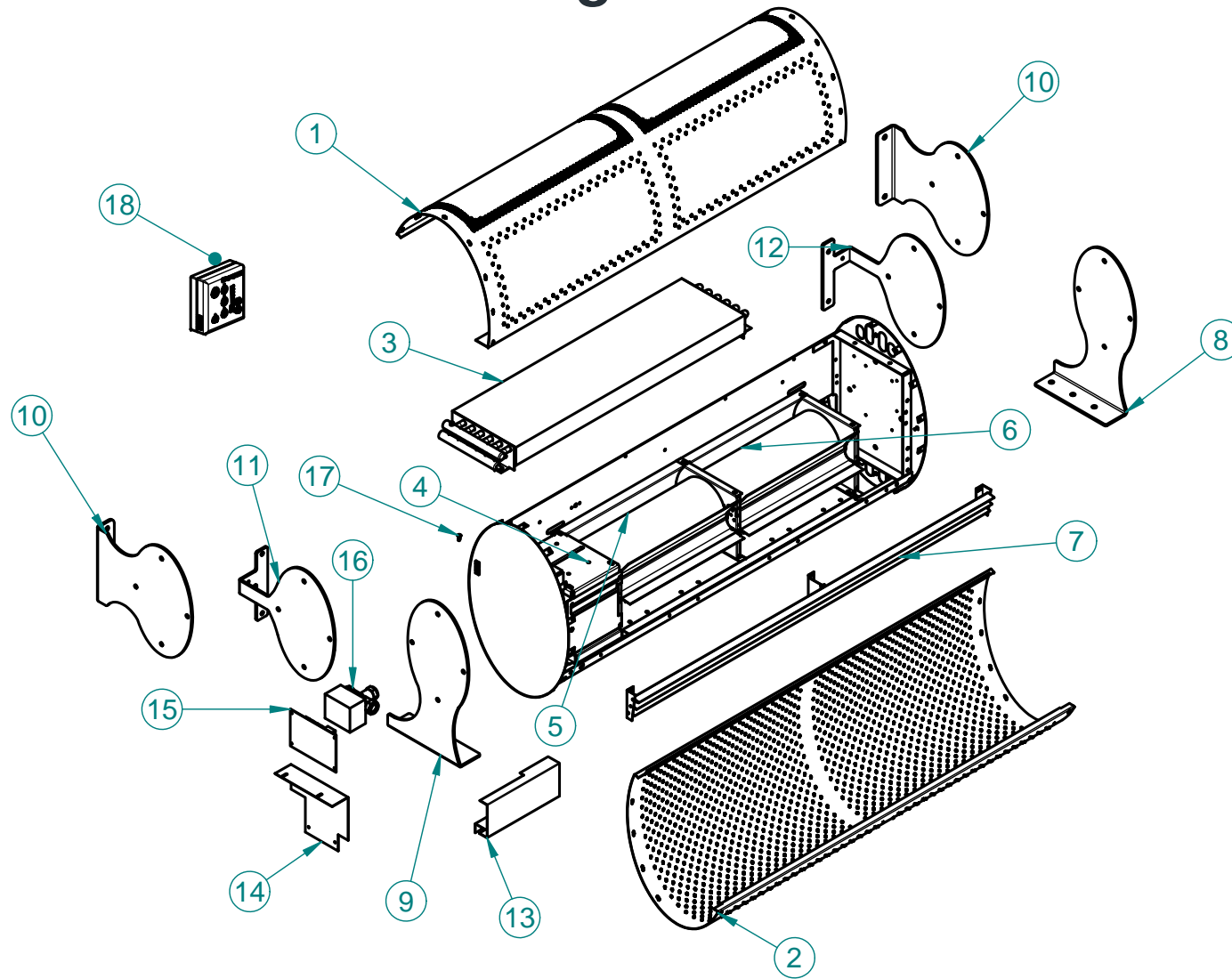


PHV Series Designer.

Horizontal Water Heated Range



Item No.	Description	PHV D1000W - P/N.	PHV D1500W - P/N.	PHV D2000 W - P/N.
1	INLET CASE	T5061510	T5062510	T5063510
2	BACK CASE	T5061505	T5062505	T5063505
3	WATER COIL	T7101464	T7101468	T7101472
4	MOTOR	T7551710	T7551730	T7551710
5	MOTOR END IMPELLOR	T7421270	T5441610	T7421270
6	DRIVEN END IMPELLOR	T7421271	T5441620	T7421271
7	OUTLET GRILL	T5315010	T5315030	T5315050
8	WALL BRACKET H R/H	T6811905	T6811905	T6811905
9	WALL BRACKET H L/H	T6811900	T6811900	T6811900
10	CEILING BRACKET END H OPTIONAL	T6811910	T6811910	T6811910
11	CEILING BRACKET D/R LH OPTIONAL	T6811915	T6811915	T6811915
12	CEILING BRACKET D/R RH OPTIONAL	T6811916	T6811916	T6811916
13	TERMINAL COVER	T5072220	T5072220	T5072220
14	PCB SPLASH COVER	T5072241	T5072241	T5072241
15	ECOPOWER BOARD	T7263701	T7263701	T7263701
16	THREE WAY VALVE	T7760111	T7760111	T7760111
17	CASE COVER FIXING SCREW	T7362042	T7362042	T7362042
18	ECOPOWER REMOTE CONTROL	T7263630	T7263630	T7263630