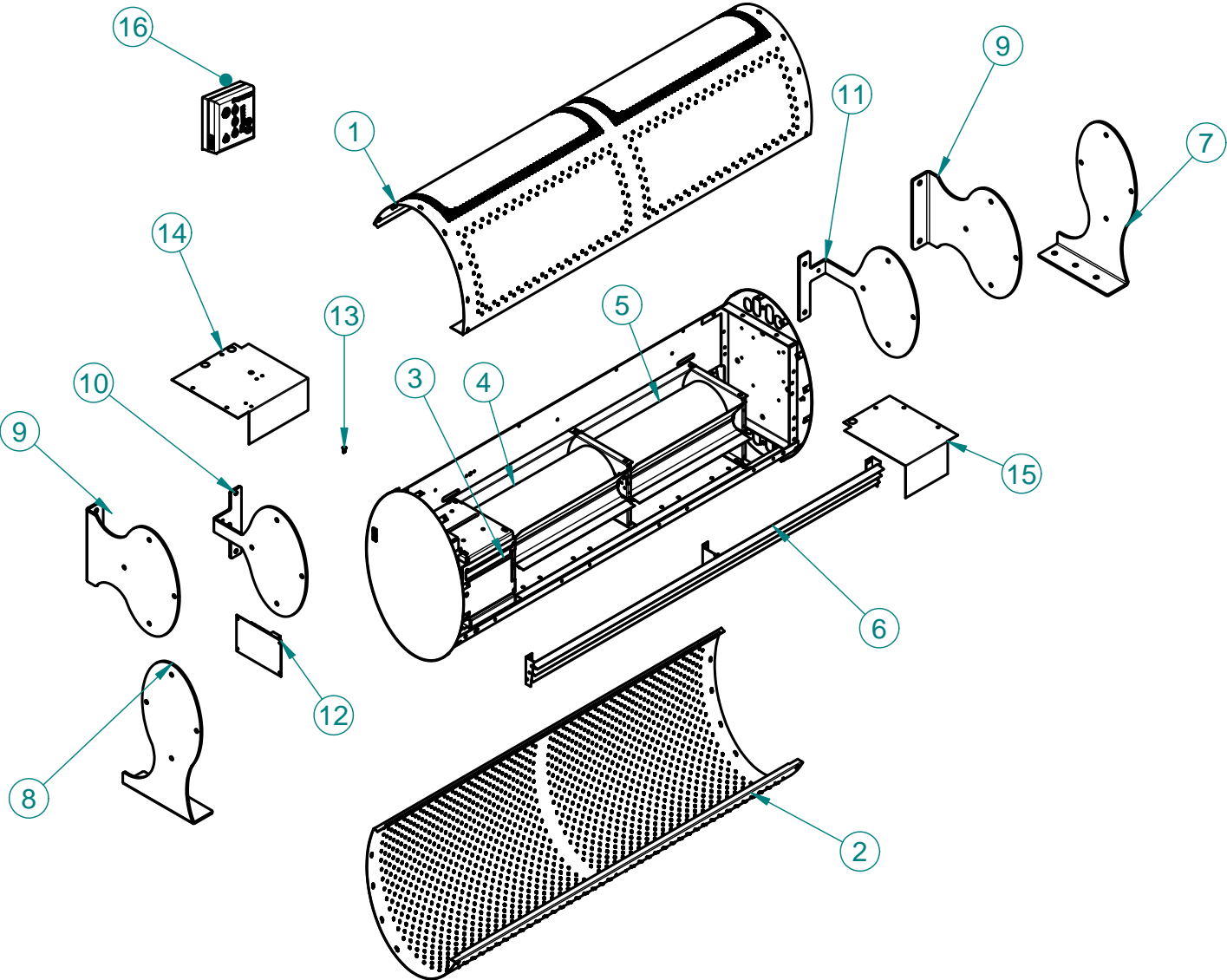


PHV Series Designer.

Horizontal Ambient Range



Item No.	Description	PHV1000A P/N.	PHV D1500A P/N.	PHV D2000A P/N.
1	INLET CASE	T5061510	T5062510	T5063510
2	BACK CASE	T5061505	T5062505	T5063505
3	MOTOR	T7551710	T7551730	T7551710
4	MOTOR END IMPELLOR	T7421270	T5441610	T7421270
5	DRIVEN END IMPELLOR	T7421271	T5441620	T7421271
6	OUTLET GRILL	T5315010	T5315030	T5315050
7	WALL BRACKET H R/H	T6811905	T6811905	T6811905
8	WALL BRACKET H L/H	T6811906	T6811900	T6811900
9	CEILING BRACKET END H OPTIONAL	T6811910	T6811910	T6811910
10	CEILING BRACKET D/R LH OPTIONAL	T6811915	T6811915	T6811915
11	CEILING BRACKET D/R RH OPTIONAL	T6811916	T6811916	T6811916
12	ECOPOWER BOARD	T7263701	T7263701	T7263701
13	CASE COVER FIXING SCREW	T7362042	T7362042	T7362042
14	ELECTRICS END COVER UPPER	T5072230	T5072230	T5072230
15	END COVER LOWER	T5072240	T5072240	T5072240
16	ECOPOWER REMOTE CONTROL	T7263630	T7263630	T7263630