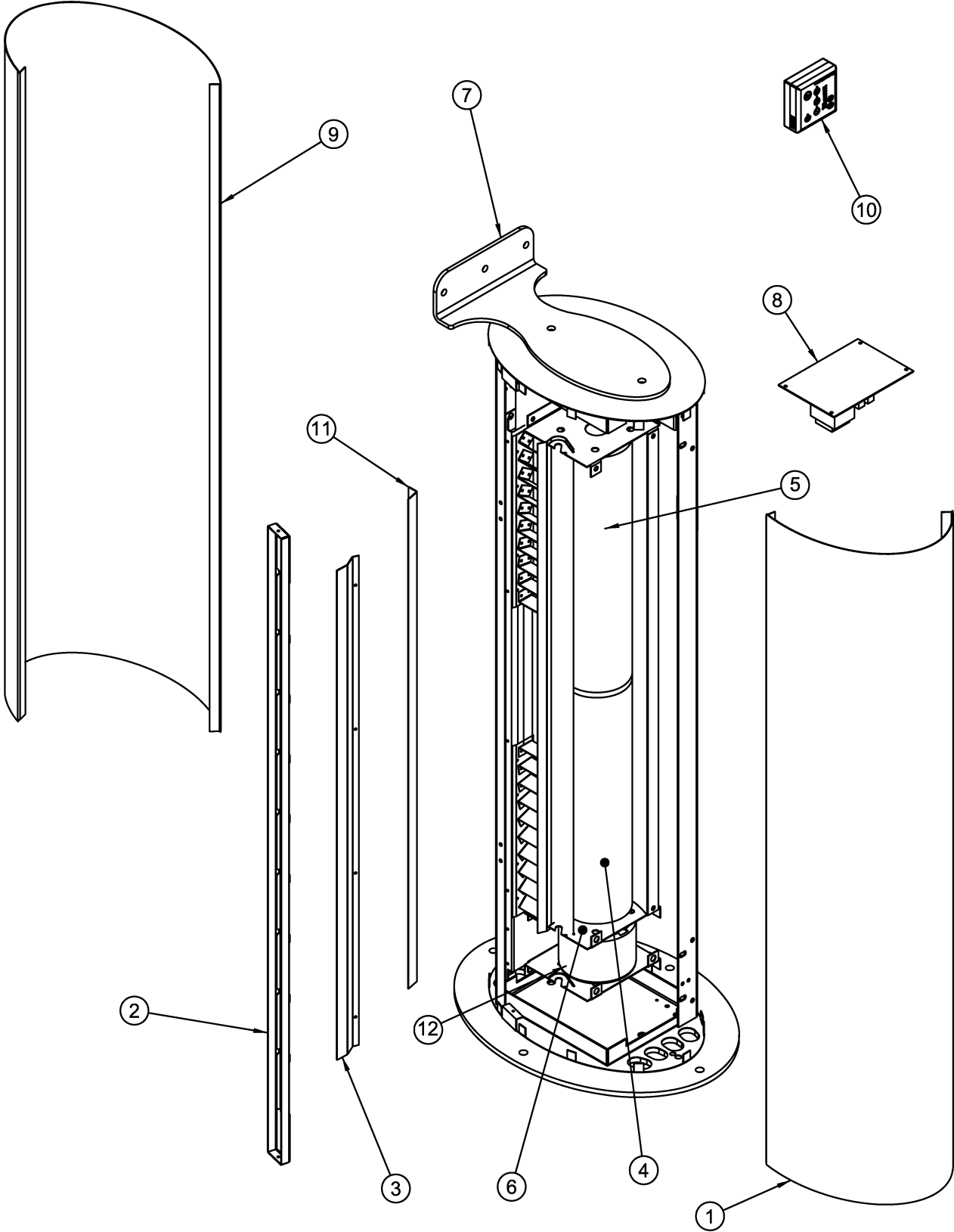




C Series Designer.

Vertical
Ambient Range



RIGHT HAND UNIT SHOWN



C Series Designer.

Vertical

Ambient Range

Item No.	Description	D1000A V - Part No.	D1500A V - Part No.	D2000A V - Part No.
1	ACCESS PANEL	5061002	5062002	5063002
2	OUTLET GRILLE	5332905	5332906 / 5332907	5332908 / 5332909
3	UPPER DISCHARGE DEFLECTOR PLATE	6582510	6582520	6582510
4	MOTOR END IMPELLOR	7421240	7421250	7421240
5	DRIVEN END IMPELLOR	-	7421251	7421241
6	FAN DECK ASSEMBLY - RH MODEL	5252463	5252356	5252463
	FAN DECK ASSEMBLY - LH MODEL	5252461	5252462	5252461
7	WALL BRACKET	6811810	6811810	6811810
8	ECOPOWER BOARD	7263701	7263701	7263701
9	BACK PANEL	5061001	5062001	5063001
10	ECOPOWER REMOTE CONTROL	7263630	7263630	7263630
11	LOWER DISCHARGE DEFLECTOR PLATE	6582500	6582530	6582500
12	MOTOR	7551201	7551201	7551201