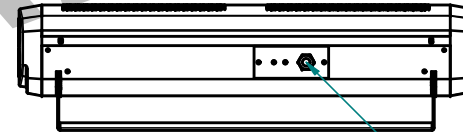
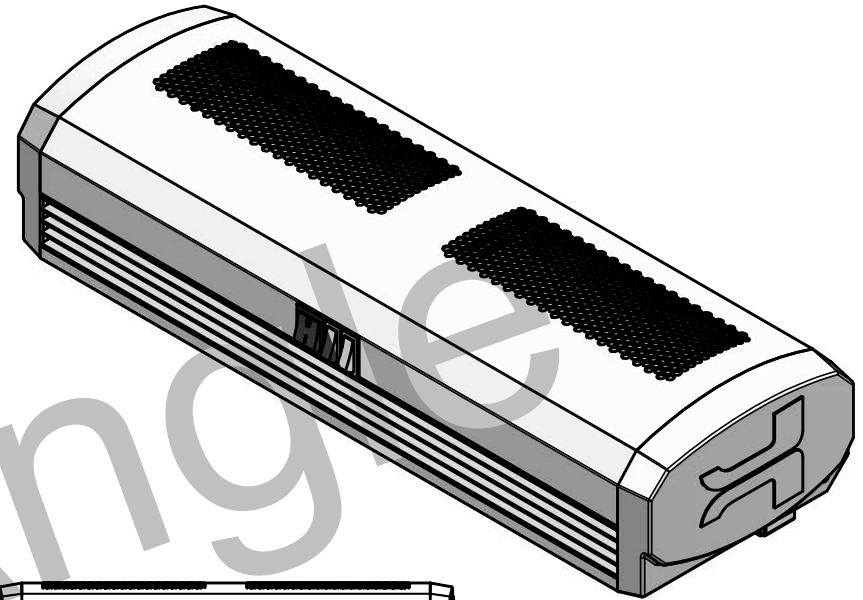
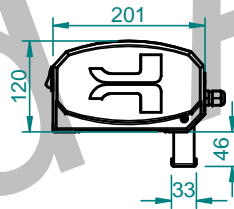
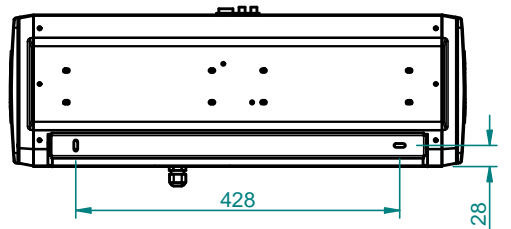
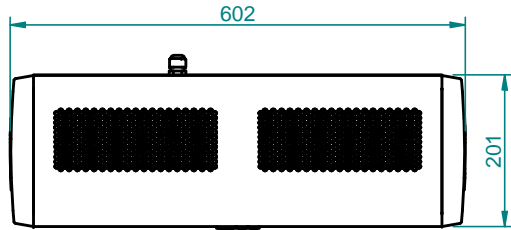


Thermoscreens



Electrical Supply Unit

-	-	-	-	-	-
-	-	-	-	-	-
-	-	-	-	-	-
-	-	-	-	-	-
ISSUE	CHANGE	DRAWN	DATE	CERT'D	DATE
THIS DRAWING REPLACES ALL PREVIOUS ISSUES OLDER ISSUES MUST BE WITHDRAWN & DESTROYED					

THERMOSCREENS LTD. 1210 Balmoral Rd. Cambridge, ON N1T 1A5 CANADA

TEL. NO. 1-877-445-3739

REMOVE ALL BURRS AND SHARP EDGES
0.25 MAX. UNLESS OTHERWISE STATED.
SCREW THREADS TO RELEVANT BS. SPEC.
MEDIUM FIT LIMITS

ALL DIMENSIONS ARE EXTERNAL
UNLESS OTHERWISE STATED

THIS DRAWING & ANY INFORMATION SET OUT
HEREON IS © THERMOSCREENS LTD & MUST NOT
BE DISCLOSED, LOANED, COPIED, OR USED FOR
MANUFACTURE WITHOUT WRITTEN PERMISSION

3rd ANGLE PROJECTION

TOLERANCES:

± 0.5



DIMS mm

SCALE NOT TO SCALE

MAT'L

SPEC. -

FINISH -

SPEC. -

USED ON -

DRAWN

AMF

CHK'D

-

TITLE

JET 3

OVERDOOR HEATER

GENERAL ARRANGEMENT

DRG.No. 1051153000