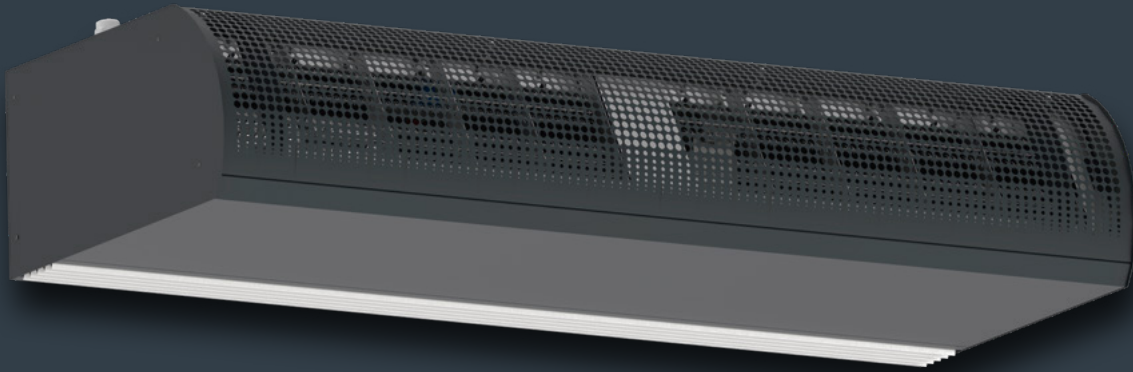


PHVX Series.

A powerful solution for high-velocity applications.



Robust and reliable, Thermoscreens PHVX Air Curtains are designed for exposed doorways that require higher than normal air velocity. Perfect for hotels, airports and commercial buildings, they will provide extremely efficient climate separation for doorways up to 15ft (4.5m). Available in sizes from 3ft to 6ft (0.9m to 1.8m).

Sizes (Width)

3ft, 4ft, 5ft, 6ft /
0.9m, 1.2m, 1.5m, 1.8m

Mounting Height

Up to 15ft / 4.5m

Colour

7016 Grey Anthracite
(RAL colour matching available)

Warranty

2 years (Parts Only)

Key features.



Water



Electric



Ambient



EC

- A powerful solution for exposed doorways
- Ambient, water or electric heated
- Surface or recessed mounted
- Suitable for mounting height up to 15ft (4.5m)
- Ecopower energy saving controls
- BMS ready
- Last man switch friendly
- Powerful, efficient airflow
- Directionally adjustable outlet grille
- Surface or recessed mounted
- High-efficiency heating element (electric)





Metric

Ambient Surface Mounted

| Model | Dimensions (mm) | Electrical supply (V/ph/Hz) | Max Rated Electrical Power Input (kW) | Max Rated Current (A) | Air Volume (m ³ /h) | Heating Output (kW) | Effective Width Of Airstream (m) | Max Mounting Height (m) | Weight (kg) | Noise Level (dB(A)@3m) ** |
|--------|------------------|-----------------------------|---------------------------------------|-----------------------|--------------------------------|---------------------|----------------------------------|-------------------------|-------------|---------------------------|
| PHVX3A | 913 x 772 x 397 | 208/1/60 | 0.8 | 3.3 | 2600 | -- | 0.9 | 4.5 | 82 | 69.0 |
| PHVX4A | 1222 x 772 x 397 | 208/1/60 | 0.7 | 4.9 | 3100 | -- | 1.2 | 4.5 | 92 | 73.5 |
| PHVX5A | 1531 x 772 x 397 | 208/1/60 | 1.3 | 5.2 | 4500 | -- | 1.5 | 4.5 | 114 | 74.3 |
| PHVX6A | 1840 x 772 x 397 | 208/1/60 | 1.3 | 5.2 | 5200 | -- | 1.8 | 4.5 | 125 | 77.3 |

Ambient Recessed

| Model | Dimensions (mm) | Electrical supply (V/ph/Hz) | Max Rated Electrical Power Input (kW) | Max Rated Current (A) | Air Volume (m ³ /h) | Heating Output (kW) | Effective Width Of Airstream (m) | Max Mounting Height (m) | Weight (kg) | Noise Level (dB(A)@3m) ** |
|---------|-------------------|-----------------------------|---------------------------------------|-----------------------|--------------------------------|---------------------|----------------------------------|-------------------------|-------------|---------------------------|
| PHVX3AR | 913 x 1107 x 405 | 208/1/60 | 0.8 | 3.3 | 2600 | -- | 0.9 | 4.5 | 86 | 69.0 |
| PHVX4AR | 1222 x 1107 x 405 | 208/1/60 | 0.7 | 4.9 | 3100 | -- | 1.2 | 4.5 | 100 | 73.5 |
| PHVX5AR | 1531 x 1107 x 405 | 208/1/60 | 1.3 | 5.2 | 4500 | -- | 1.5 | 4.5 | 122 | 74.3 |
| PHVX6AR | 1840 x 1107 x 405 | 208/1/60 | 1.3 | 5.2 | 5200 | -- | 6 | 4.5 | 136 | 77.3 |

Water Surface Mounted

| Model | Dimensions (mm) | Electrical supply (V/ph/Hz) | Max Rated Electrical Power Input (kW) | Max Rated Current (A) | Air Volume (m ³ /h) | Heating Output (kW) | Effective Width Of Airstream (m) | Max Mounting Height (m) | Weight (kg) | Noise Level (dB(A)@3m) ** |
|--------|------------------|-----------------------------|---------------------------------------|-----------------------|--------------------------------|---------------------|----------------------------------|-------------------------|-------------|---------------------------|
| PHVX3W | 913 x 772 x 397 | 208/1/60 | 0.8 | 3.3 | 2600 | 18.9 | 0.9 | 4.5 | 90 | 69.0 |
| PHVX4W | 1222 x 772 x 397 | 208/1/60 | 0.7 | 4.9 | 3100 | 24.7 | 1.2 | 4.5 | 95 | 73.5 |
| PHVX5W | 1531 x 772 x 397 | 208/1/60 | 1.3 | 5.2 | 4500 | 34.7 | 1.5 | 4.5 | 116 | 74.3 |
| PHVX6W | 1840 x 772 x 397 | 208/1/60 | 1.3 | 5.2 | 5200 | 41.4 | 1.8 | 4.5 | 127 | 77.3 |

Water Recessed

| Model | Dimensions (mm) | Electrical supply (V/ph/Hz) | Max Rated Electrical Power Input (kW) | Max Rated Current (A) | Air Volume (m ³ /h) | Heating Output (kW) | Effective Width Of Airstream (m) | Max Mounting Height (m) | Weight (kg) | Noise Level (dB(A)@3m) ** |
|---------|-------------------|-----------------------------|---------------------------------------|-----------------------|--------------------------------|---------------------|----------------------------------|-------------------------|-------------|---------------------------|
| PHVX3WR | 913 x 1107 x 405 | 208/1/60 | 0.8 | 3.3 | 2600 | 18.9 | 0.9 | 4.5 | 96 | 69.0 |
| PHVX4WR | 1222 x 1107 x 405 | 208/1/60 | 0.7 | 4.9 | 3100 | 24.7 | 1.2 | 4.5 | 102 | 73.5 |
| PHVX5WR | 1531 x 1107 x 405 | 208/1/60 | 1.3 | 5.2 | 4500 | 34.7 | 1.5 | 4.5 | 124 | 74.3 |
| PHVX6WR | 1840 x 1107 x 405 | 208/1/60 | 1.3 | 5.2 | 5200 | 41.4 | 6 | 4.5 | 138 | 77.3 |



Metric

Electric Surface Mounted

| Model | Dimensions (mm) | Electrical supply (V/ph/Hz) | Max Rated Electrical Power Input (kW) | Max Rated Current (A) | Air Volume (m ³ /h) | Heating Output (kW) | Effective Width Of Airstream (m) | Max Mounting Height (m) | Weight (kg) | Noise Level (dB(A)@3m)** |
|-----------------|------------------|-----------------------------|---------------------------------------|-----------------------|--------------------------------|---------------------|----------------------------------|-------------------------|-------------|--------------------------|
| 208 Volt | | | | | | | | | | |
| PHVX3E208 | 913 x 772 x 397 | 208/3/60 | 14.8 | 42.2 | 2600 | 14 | 0.9 | 4.5 | 91 | 69.0 |
| PHVX4E208 | 1222 x 772 x 397 | 208/3/60 | 14.7 | 43.8 | 3100 | 14 | 1.2 | 4.5 | 95 | 73.5 |
| PHVX5E208 | 1531 x 772 x 397 | 208/3/60* | 29.3 | 83.0 | 4500 | 28 | 1.5 | 4.5 | 116 | 74.3 |
| PHVX6E208 | 1840 x 772 x 397 | 208/3/60* | 29.3 | 83.0 | 5200 | 28 | 1.8 | 4.5 | 127 | 77.3 |
| 480 Volt | | | | | | | | | | |
| PHVX3E480 | 913 x 772 x 397 | 480/3/60 | 14.4 | 18.4 | 2600 | 14 | 0.9 | 4.5 | 91 | 69.0 |
| PHVX4E480 | 1222 x 772 x 397 | 480/3/60 | 14.3 | 19.1 | 3100 | 14 | 1.2 | 4.5 | 95 | 73.5 |
| PHVX5E480 | 1531 x 772 x 397 | 480/3/60 | 28.5 | 36.2 | 4500 | 28 | 1.5 | 4.5 | 116 | 74.3 |
| PHVX6E480 | 1840 x 772 x 397 | 480/3/60 | 28.6 | 36.2 | 5200 | 28 | 1.8 | 4.5 | 127 | 77.3 |
| 600 Volt | | | | | | | | | | |
| PHVX3E600 | 913 x 772 x 397 | 600/3/60 | 14.3 | 14.8 | 2600 | 14 | 0.9 | 4.5 | 91 | 69.0 |
| PHVX4E600 | 1222 x 772 x 397 | 600/3/60 | 14.3 | 15.6 | 3100 | 14 | 1.2 | 4.5 | 95 | 73.5 |
| PHVX5E600 | 1531 x 772 x 397 | 600/3/60 | 28.5 | 29.0 | 4500 | 28 | 1.5 | 4.5 | 116 | 74.3 |
| PHVX6E600 | 1840 x 772 x 397 | 600/3/60 | 28.5 | 29.0 | 5200 | 28 | 1.8 | 4.5 | 127 | 77.3 |

* This unit needs to use two external supplies of the same voltage.

** Theoretical sound pressure based on a room of a volume of 296m³ and reverberation time of 1.0s with the unit source at 3m. If installation differs from this considerations sound pressure value will need to be recalculated.

Electric Recessed

| Model | Dimensions (mm) | Electrical supply (V/ph/Hz) | Max Rated Electrical Power Input (kW) | Max Rated Current (A) | Air Volume (m ³ /h) | Heating Output (kW) | Effective Width Of Airstream (m) | Max Mounting Height (m) | Weight (kg) | Noise Level (dB(A)@3m)** |
|-----------------|-------------------|-----------------------------|---------------------------------------|-----------------------|--------------------------------|---------------------|----------------------------------|-------------------------|-------------|--------------------------|
| 208 Volt | | | | | | | | | | |
| PHVX3E208R | 913 x 1107 x 405 | 208/3/60 | 14.8 | 42.2 | 2600 | 14 | 0.9 | 4.5 | 96 | 69.0 |
| PHVX4E208R | 1222 x 1107 x 405 | 208/3/60 | 14.7 | 43.8 | 3100 | 14 | 1.2 | 4.5 | 102 | 73.5 |
| PHVX5E208R | 1531 x 1107 x 405 | 208/3/60* | 29.3 | 83.0 | 4500 | 28 | 1.5 | 4.5 | 124 | 74.3 |
| PHVX6E208R | 1840 x 1107 x 405 | 208/3/60* | 29.3 | 83.0 | 5200 | 28 | 1.8 | 4.5 | 138 | 77.3 |
| 480 Volt | | | | | | | | | | |
| PHVX3E480R | 913 x 1107 x 405 | 480/3/60 | 14.4 | 18.4 | 2600 | 14 | 0.9 | 4.5 | 96 | 69.0 |
| PHVX4E480R | 1222 x 1107 x 405 | 480/3/60 | 14.3 | 19.1 | 3100 | 14 | 1.2 | 4.5 | 102 | 73.5 |
| PHVX5E480R | 1531 x 1107 x 405 | 480/3/60 | 28.6 | 36.2 | 4500 | 28 | 1.5 | 4.5 | 124 | 74.3 |
| PHVX6E480R | 1840 x 1107 x 405 | 480/3/60 | 28.6 | 36.2 | 5200 | 28 | 1.8 | 4.5 | 138 | 77.3 |
| 600 Volt | | | | | | | | | | |
| PHVX3E600R | 913 x 1107 x 405 | 600/3/60 | 14.3 | 14.8 | 2600 | 14 | 0.9 | 4.5 | 96 | 69.0 |
| PHVX4E600R | 1222 x 1107 x 405 | 600/3/60 | 14.3 | 15.4 | 3100 | 14 | 1.2 | 4.5 | 102 | 73.5 |
| PHVX5E600R | 1531 x 1107 x 405 | 600/3/60 | 28.5 | 29.0 | 4500 | 28 | 1.5 | 4.5 | 124 | 74.3 |
| PHVX6E600R | 1840 x 1107 x 405 | 600/3/60 | 28.5 | 29.0 | 5200 | 28 | 1.8 | 4.5 | 138 | 77.3 |

* This units needs to use two external supplies of the same voltage.

** Theoretical sound pressure based on a room of a volume of 296m³ and reverberation time of 1.0s with the unit source at 3 m. If installation differs from this considerations sound pressure value will need to be recalculated.



Imperial

Ambient Surface Mounted

| Model | Dimensions (inches) | Electrical supply (V/ph/Hz) | Rated Electrical Power Input (kW) | Rated Current (A) | Air Volume (cfm) | Heating Output (Btu/h) | Effective Width Of Airstream (ft) | Max Mounting Height (ft) | Weight (lbs) | Noise Level (dB@3m) |
|--------|---------------------|-----------------------------|-----------------------------------|-------------------|------------------|------------------------|-----------------------------------|--------------------------|--------------|---------------------|
| PHVX3A | 36.0 x 30.3 x 15.6 | 208/1/60 | 0.8 | 3.3 | 1530 | -- | 3 | 15 | 181 | 69.0 |
| PHVX4A | 48.1 x 30.3 x 15.6 | 208/1/60 | 0.7 | 4.9 | 1825 | -- | 4 | 15 | 203 | 73.5 |
| PHVX5A | 60.2 x 30.3 x 15.6 | 208/1/60 | 1.3 | 5.2 | 2649 | -- | 5 | 15 | 251 | 74.3 |
| PHVX6A | 72.4 x 30.3 x 15.6 | 208/1/60 | 1.3 | 5.2 | 3060 | -- | 6 | 15 | 276 | 77.3 |

Ambient Recessed

| Model | Dimensions (inches) | Electrical supply (V/ph/Hz) | Rated Electrical Power Input (kW) | Rated Current (A) | Air Volume (cfm) | Heating Output (Btu/h) | Effective Width Of Airstream (ft) | Max Mounting Height (ft) | Weight (lbs) | Noise Level (dB@3m) |
|---------|---------------------|-----------------------------|-----------------------------------|-------------------|------------------|------------------------|-----------------------------------|--------------------------|--------------|---------------------|
| PHVX3AR | 35.9 x 43.5 x 15.9 | 208/1/60 | 0.8 | 3.3 | 1530 | -- | 3 | 15 | 190 | 69.0 |
| PHVX4AR | 48.1 x 43.5 x 15.9 | 208/1/60 | 0.7 | 4.9 | 1825 | -- | 4 | 15 | 220 | 73.5 |
| PHVX5AR | 60.2 x 43.5 x 15.9 | 208/1/60 | 1.3 | 5.2 | 2649 | -- | 5 | 15 | 269 | 74.3 |
| PHVX6AR | 72.4 x 43.5 x 15.9 | 208/1/60 | 1.3 | 5.2 | 3060 | -- | 6 | 15 | 300 | 77.3 |

Water Surface Mounted

| Model | Dimensions (inches) | Electrical supply (V/ph/Hz) | Rated Electrical Power Input (kW) | Rated Current (A) | Air Volume (cfm) | Heating Output max (Btu/h) @ 82/71°C | Effective Width Of Airstream (ft) | Max Mounting Height (ft) | Weight (lbs) | Noise Level (dB@3m) |
|--------|---------------------|-----------------------------|-----------------------------------|-------------------|------------------|--------------------------------------|-----------------------------------|--------------------------|--------------|---------------------|
| PHVX3W | 36.0 x 30.3 x 15.6 | 208/1/60 | 0.8 | 3.3 | 1530 | 112.6 | 3 | 15 | 198 | 69.0 |
| PHVX4W | 48.1 x 30.3 x 15.6 | 208/1/60 | 0.7 | 4.9 | 1825 | 129.6 | 4 | 15 | 209 | 73.5 |
| PHVX5W | 60.2 x 30.3 x 15.6 | 208/1/60 | 1.3 | 5.2 | 2649 | 214.9 | 5 | 15 | 256 | 74.3 |
| PHVX6W | 72.4 x 30.3 x 15.6 | 208/1/60 | 1.3 | 5.2 | 3060 | 221.8 | 6 | 15 | 280 | 77.3 |

Water Recessed

| Model | Dimensions (inches) | Electrical supply (V/ph/Hz) | Rated Electrical Power Input (kW) | Rated Current (A) | Air Volume (cfm) | Heating Output max (Btu/h) @ 82/71°C | Effective Width Of Airstream (ft) | Max Mounting Height (ft) | Weight (lbs) | Noise Level (dB@3m) |
|---------|---------------------|-----------------------------|-----------------------------------|-------------------|------------------|--------------------------------------|-----------------------------------|--------------------------|--------------|---------------------|
| PHVX3WR | 35.9 x 43.5 x 15.9 | 208/1/60 | 0.8 | 3.3 | 1530 | 112.6 | 3 | 15 | 212 | 69.0 |
| PHVX4WR | 48.1 x 43.5 x 15.9 | 208/1/60 | 0.7 | 4.9 | 1825 | 129.6 | 4 | 15 | 225 | 73.5 |
| PHVX5WR | 60.2 x 43.5 x 15.9 | 208/1/60 | 1.3 | 5.2 | 2649 | 214.9 | 5 | 15 | 273 | 74.3 |
| PHVX6WR | 72.4 x 43.5 x 15.9 | 208/1/60 | 1.3 | 5.2 | 3060 | 221.8 | 6 | 15 | 304 | 77.3 |



Imperial

Electric Surface Mounted

| Model | Dimensions (inches) | Electrical supply (V/ph/Hz) | Rated Electrical Power Input (kW) | Rated Current (A) | Air Volume (cfm) | Heating Output (kW) | Effective Width Of Airstream (ft) | Max Mounting Height (ft) | Weight (lbs) | Noise Level (dB(A)@3m)** |
|-----------------|---------------------|-----------------------------|-----------------------------------|-------------------|------------------|---------------------|-----------------------------------|--------------------------|--------------|--------------------------|
| 208 Volt | | | | | | | | | | |
| PHVX3E208 | 36.0 x 30.3 x 15.6 | 208/3/60 | 15.0 | 43.8 | 1530 | 47.8 | 3 | 15 | 201 | 69.0 |
| PHVX4E208 | 48.1 x 30.3 x 15.6 | 208/3/60 | 15.0 | 43.8 | 1825 | 47.8 | 4 | 15 | 209 | 73.5 |
| PHVX5E208 | 60.2 x 30.3 x 15.6 | 208/3/60* | 29.5 | 82.7 | 2649 | 95.5 | 5 | 15 | 256 | 74.3 |
| PHVX6E208 | 72.4 x 30.3 x 15.6 | 208/3/60* | 29.5 | 82.7 | 3060 | 95.5 | 6 | 15 | 280 | 77.3 |
| 480 Volt | | | | | | | | | | |
| PHVX3E480 | 36.0 x 30.3 x 15.6 | 480/3/60 | 15.0 | 18.9 | 1530 | 47.8 | 3 | 15 | 201 | 69.0 |
| PHVX4E480 | 48.1 x 30.3 x 15.6 | 480/3/60 | 15.0 | 18.9 | 1825 | 47.8 | 4 | 15 | 209 | 73.5 |
| PHVX5E480 | 60.2 x 30.3 x 15.6 | 480/3/60 | 29.5 | 36.8 | 2649 | 95.5 | 5 | 15 | 256 | 74.3 |
| PHVX6E480 | 72.4 x 30.3 x 15.6 | 480/3/60 | 29.5 | 36.8 | 3060 | 95.5 | 6 | 15 | 280 | 77.3 |
| 600 Volt | | | | | | | | | | |
| PHVX3E600 | 36.0 x 30.3 x 15.6 | 600/3/60 | 15.0 | 15.1 | 1530 | 47.8 | 3 | 15 | 201 | 69.0 |
| PHVX4E600 | 48.1 x 30.3 x 15.6 | 600/3/60 | 15.0 | 15.1 | 1825 | 47.8 | 4 | 15 | 209 | 73.5 |
| PHVX5E600 | 60.2 x 30.3 x 15.6 | 600/3/60 | 29.5 | 29.4 | 2649 | 95.5 | 5 | 15 | 256 | 74.3 |
| PHVX6E600 | 72.4 x 30.3 x 15.6 | 600/3/60 | 29.5 | 29.4 | 3060 | 95.5 | 6 | 15 | 280 | 77.3 |

* This unit needs to use two external supplies of the same voltage.

** Theoretical sound pressure based on a room of a volume of 10383ft³ and reverberation time of 1.0s with the unit source at 9.8ft. If installation differs from this considerations sound pressure value will need to be recalculated.

Electric Recessed

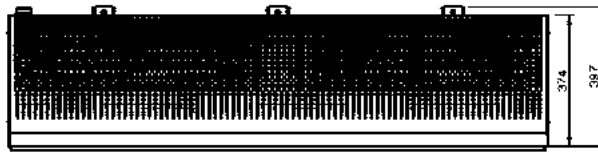
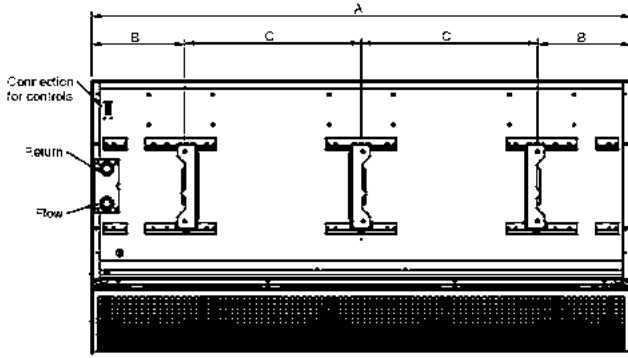
| Model | Dimensions (inches) | Electrical supply (V/ph/Hz) | Rated Electrical Power Input (kW) | Rated Current (A) | Air Volume (cfm) | Heating Output (kW) | Effective Width Of Airstream (ft) | Max Mounting Height (ft) | Weight (lbs) | Noise Level (dB(A)@3m)** |
|-----------------|---------------------|-----------------------------|-----------------------------------|-------------------|------------------|---------------------|-----------------------------------|--------------------------|--------------|--------------------------|
| 208 Volt | | | | | | | | | | |
| PHVX3E208R | 35.9 x 43.5 x 15.9 | 208/3/60 | 15.0 | 43.8 | 1530 | 47.8 | 3 | 15 | 212 | 69.0 |
| PHVX4E208R | 48.1 x 43.5 x 15.9 | 208/3/60 | 15.0 | 43.8 | 1825 | 47.8 | 4 | 15 | 225 | 73.5 |
| PHVX5E208R | 60.2 x 43.5 x 15.9 | 208/3/60* | 29.5 | 82.7 | 2649 | 95.5 | 5 | 15 | 273 | 74.3 |
| PHVX6E208R | 72.4 x 43.5 x 15.9 | 208/3/60* | 29.5 | 82.7 | 3060 | 95.5 | 6 | 15 | 304 | 77.3 |
| 480 Volt | | | | | | | | | | |
| PHVX3E480R | 35.9 x 43.5 x 15.9 | 480/3/60 | 15.0 | 18.9 | 1530 | 47.8 | 3 | 15 | 212 | 69.0 |
| PHVX4E480R | 48.1 x 43.5 x 15.9 | 480/3/60 | 15.0 | 18.9 | 1825 | 47.8 | 4 | 15 | 225 | 73.5 |
| PHVX5E480R | 60.2 x 43.5 x 15.9 | 480/3/60 | 29.5 | 36.8 | 2649 | 95.5 | 5 | 15 | 273 | 74.3 |
| PHVX6E480R | 72.4 x 43.5 x 15.9 | 480/3/60 | 29.5 | 36.8 | 3060 | 95.5 | 6 | 15 | 304 | 77.3 |
| 600 Volt | | | | | | | | | | |
| PHVX3E600R | 35.9 x 43.5 x 15.9 | 600/3/60 | 15.0 | 15.1 | 1530 | 47.8 | 3 | 15 | 212 | 69.0 |
| PHVX4E600R | 48.1 x 43.5 x 15.9 | 600/3/60 | 15.0 | 15.1 | 1825 | 47.8 | 4 | 15 | 225 | 73.5 |
| PHVX5E600R | 60.2 x 43.5 x 15.9 | 600/3/60 | 29.5 | 29.4 | 2649 | 95.5 | 5 | 15 | 273 | 74.3 |
| PHVX6E600R | 72.4 x 43.5 x 15.9 | 600/3/60 | 29.5 | 29.4 | 3060 | 95.5 | 6 | 15 | 304 | 77.3 |

* This unit needs to use two external supplies of the same voltage.

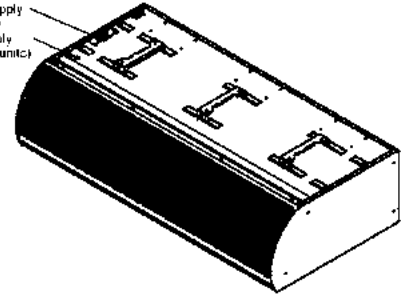
** Theoretical sound pressure based on a room of a volume of 10383ft³ and reverberation time of 1.0s with the unit source at 9.8ft. If installation differs from this considerations sound pressure value will need to be recalculated.



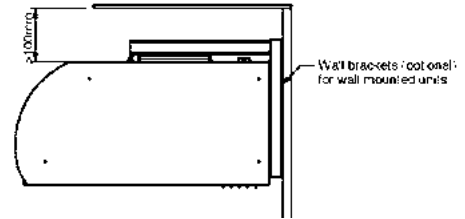
Surface Mounted



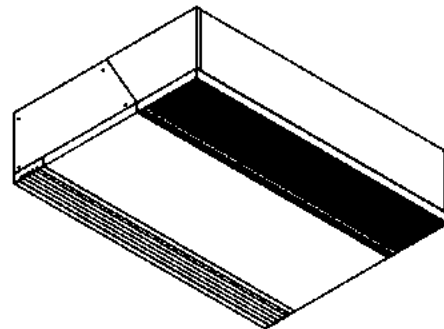
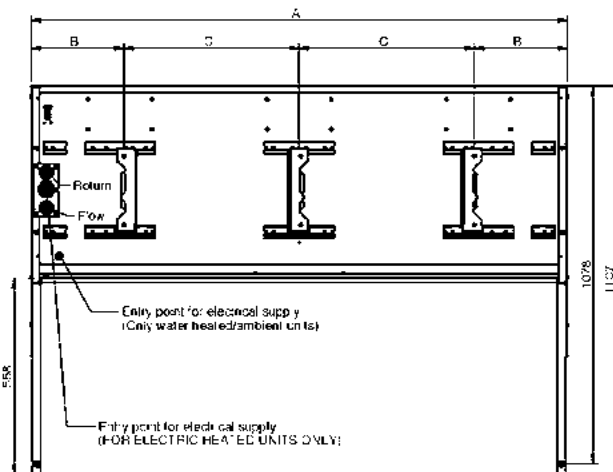
Entry point for electrical supply
(Only electric heated units)
Entry point for electrical supply
(Only water heated/ambient units)



| MODEL | A | B | C | Brackets | Drop rod |
|------------|------|-----|-----|----------|----------|
| PHVX3E/A/W | 913 | 265 | -- | 2 | 4 |
| PHVX4E/A/W | 1222 | 265 | -- | 2 | 4 |
| PHVX5E/A/W | 1531 | 265 | 500 | 3 | 6 |
| PIVX6E/A/W | 1840 | 265 | 750 | 3 | 6 |



Recessed



| MODEL | A | B | C | Brackets | Rod drops |
|------------|------|-----|-----|----------|-----------|
| PHVX3E/A/W | 913 | 265 | -- | 2 | 4 |
| PIVX4E/A/W | 1222 | 265 | -- | 2 | 4 |
| PHVX5E/A/W | 1531 | 265 | 500 | 3 | 6 |
| PHVX6E/A/W | 1840 | 265 | 750 | 3 | 6 |

Your environment is our expertise.

Thermoscreens were one of the pioneers of modern air curtain technology, and we remain at the forefront of its evolution today. Our sales team work hand-in-hand with an international network of distributors, providing solutions to customers of all types and sizes, in more than 50 countries. Across the globe, our name is synonymous with the highest quality standards; our products renowned for their energy efficiency, reliability and ease of use.

