



# JET 3 & JET 6 DRIVE-THROUGH AIR CURTAIN (DTAC)

## 208 VOLT (JET 3 & 6) AND 120 VOLT (JET 6) 60 HZ – CORD CONNECTED INSTALLATION, OPERATION AND MAINTENANCE INSTRUCTIONS

**IMPORTANT INSTRUCTIONS... Read all instructions before installing or using this heater... SAVE THESE INSTRUCTIONS**

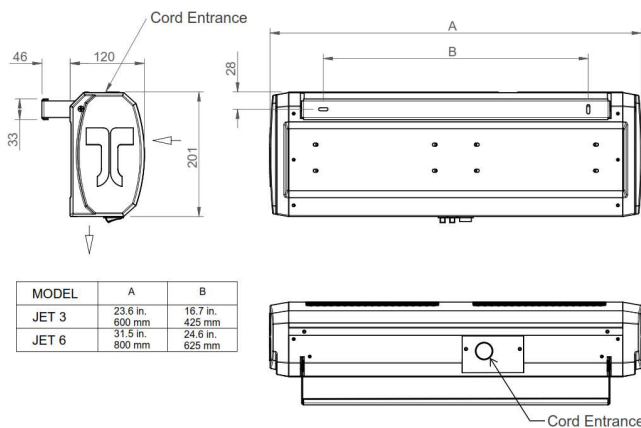
### IMPORTANT

When using electrical appliances, basic precautions should always be followed to reduce the risk of fire, electric shock and injury to persons, including the following:

1. Read all instructions before installing or using this appliance.
2. This air curtain/heater appliance can be hot when in use. To avoid burns, do not let bare skin touch hot surfaces and keep combustible materials such as papers, clothes, bedding, etc. and curtains at least 1m away from the heater.
3. Extreme caution is necessary when the unit is used by or near children or invalids and whenever it is left operating and unattended.
4. Do not use outdoors.
5. To disconnect appliance, push ON/OFF Switch to OFF (0) first and then remove plug from outlet.
6. Do not operate appliance with a damaged cord or plug or after it malfunctions; disconnect power at service panel or remove plug. Call competent service personnel to investigate, return to authorized service facility for repair, or discard appliance.
7. Do not insert or allow foreign objects to enter the return or discharge grilles as this may cause electrical shock, fire or damage to the appliance.
8. To prevent possible fire, do not block return and discharge air grilles in any manner. Do not use on soft surfaces, like a bed, where opening may become blocked.
9. This heater is not intended for use in bathrooms, laundry areas and similar indoor locations. Never locate appliance where it may fall into a bathtub or other water container.
10. Do not run cord under carpeting. Do not cover cord with throw rugs, runners or similar coverings. Do not route cord under furniture or appliances. Arrange cord away from traffic area and where it will not be tripped over.
11. This appliance has hot and arcing or sparking parts inside. Do not use where flammable vapors or liquids are stored.
12. Use this appliance only as described in this manual. Any other use not recommended by the manufacturer may cause fire, electric shock or injury to persons and property.
13. Always plug directly into a wall outlet/receptacle. Never use with an extension cord or a relocatable power tap (outlet/power strip).
14. Connect to properly grounded outlets only.

**WARNING... Risk of fire.**  
Do not use as a household or residential heater.

Model	Electrical Input (A)	Weight (lb/Kg)	Heat Output (KW)	NEMA Plug
JET 3-208V	11.5	13.4/6.1	2.3/1.2	6-15P
JET 3-208V	11.5	13.4/6.1	2.3/1.2	6-20P
JET 6-208V	TBA	TBA	TBA	TBA
JET 6-120V	TBA	TBA	TBA	TBA



**Figure 1: Jet General Assembly Drawing**

Standard service cord/plug assembly is 6 feet (1.83 m) long.

### CONTENTS

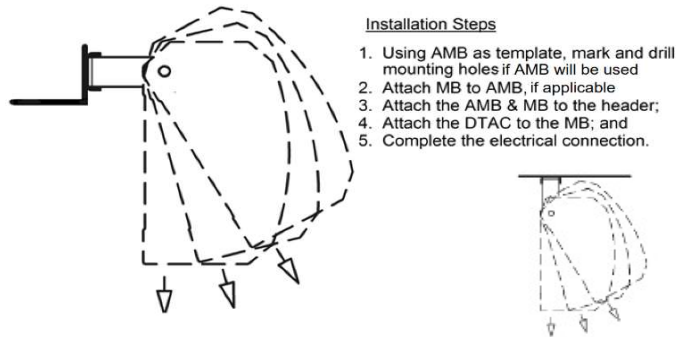
Remove from carton and check contents include:

- Thermoscreens Jet Drive-Thru Air Curtain [DTAC] unit
- Mounting Bracket [MB] c/w fixing hardware to unit
- Angled Mounting Base (AMB) for optional use

For warranty purposes please retain your receipt as proof of purchase.

### INSTALLATION

DO NOT INSTALL BOTTOM OF HEATER LESS THAN 1.83 m (6 ft.) ABOVE THE FLOOR, NOR LESS THAN 610 mm (24 in.) ABOVE A COUNTER. DO NOT INSTALL CLOSER THAN 1 INCH TO A VERTICAL SURFACE AT SIDES. The DTAC is designed for surface mounting with air outlet pointing downward as illustrated below. The wall bracket provided will function for both wall and ceiling (or bulkhead) installation. Mount the unit at a height where the discharge grille is level to and in line with the sliding window header. Multiple DTACs mounted side by side may be used for wider openings. The DTAC must be mounted directly to the MB, and in combination with the AMB where applicable. The DTAC must not be located immediately below an electrical outlet. Do not install bottom of heater less than 1.83 m (6 ft.) above the floor, nor less than 610 mm (24 in.) above a counter. Do not install closer than 1 inch to a vertical surface at



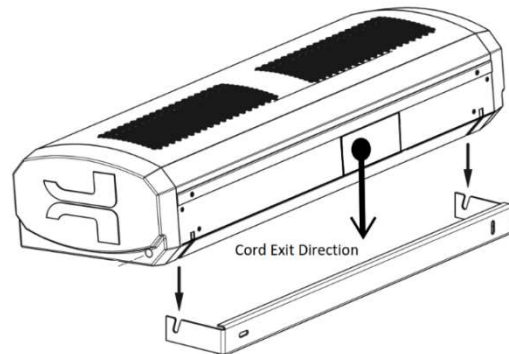
#### Installation Steps

1. Using AMB as template, mark and drill mounting holes if AMB will be used
2. Attach MB to AMB, if applicable
3. Attach the AMB & MB to the header;
4. Attach the DTAC to the MB; and
5. Complete the electrical connection.

sides. If mounting the bracket to wood stud substrate use #10 hex washer head or pan head sheet metal screws long enough to penetrate into the wood at least 1.625 inches beyond any surface cladding such as drywall.

**Figure 2: Window Header Mounting Guide**

Before fitting DTAC, locate mounting hardware as necessary considering the window header design and unit weight (see Table). Using the MB as a template, determine an optimum location for the DTAC, place the MB on the target location and mark position of the fixing holes to be drilled. Using suitable fixing hardware, install the MB as required into position. Some internal header components may have to be moved before any drilling is conducted; it may be necessary to drill up from the header due to design configuration of the window clearance.



**Figure 3: Mounting Bracket Alignment**

Align and position mounting bracket into the two slots on the rear plate of the DTAC (refer to Figure 3). Ensure the serrated washer at each end of the DTAC is positioned between the mounting bracket and the internal hanging bracket (see Figure 4). Tilt the DTAC into the preferred direction and firmly tighten both fixing screws by hand tightening the thumbscrews provided in each end cap.

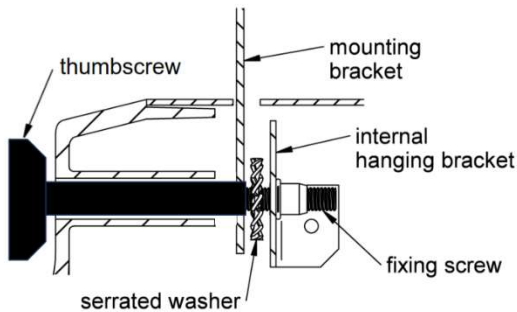


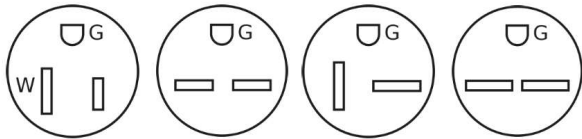
Figure 4: Cross Sectional View of Mounting Bracket

### ELECTRICAL CONNECTION

All electrical wiring and connections must be carried out by a competent qualified electrician in accordance with the latest wiring and/or local statutory regulations.

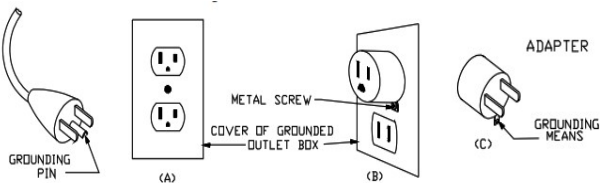
Ensure that the supply cables, circuit breakers and other electrical installation equipment are correctly sized for the DTAC being installed - see Table.

The DTAC cord and plug should be connected to a 208V or 120V AC 60Hz electrical supply as applicable and must be Grounded.

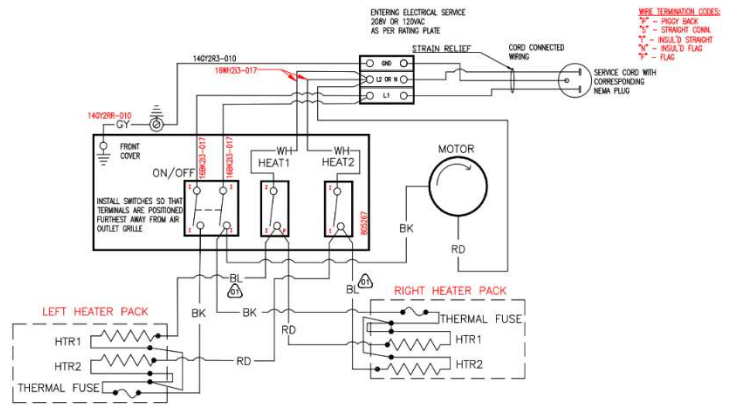
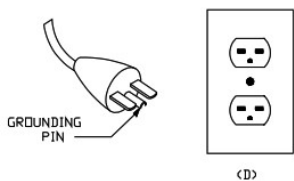


NEMA 5-15P Plug 15 AMP, 125 VOLT    NEMA 6-15P Plug 15 AMP, 250 VOLT    NEMA 6-20P Plug 20 AMP, 250VOLT    NEMA 6-30P Plug 30 AMP, 250 VOLT

If the heater is for use on 120 volts, the cord has a plug as shown at (A) in the figure below. An adapter as shown at (B) & (C) is commercially available for connecting three-blade grounding-type plugs to two-slot receptacles. The green grounding lug extending from the adapter must be connected to a permanent ground such as a properly grounded outlet box. The adapter should not be used if a three-slot grounded receptacle is available.

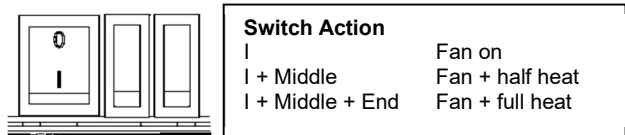


If the heater is for use on 208 volts, the cord has a plug as shown in (D) in the figure below. No adapter is available for this blade configuration, and none should be used. The type of outlet is a 208 Volt grounding outlet. When properly installed, it provides a ground connection through the cord to the heater to protect the operator from electric shock.



### OPERATION

The heater must be properly installed before use. Control of the DTAC is achieved by using the three integral switches mounted adjacent to the discharge grille.



Before leaving the site it is important that these instruction sheets are given to the end user or their representative and that the operation of the DTAC unit is fully explained and they understand how it operates.

### THERMAL SAFETY CUT-OUTS

The DTAC uses self-regulating heaters that reduce their heat output and maintain safe operating temperatures during abnormal operating conditions. As a backup, there is a non-resettable thermal fuse in each heater pack that will disconnect the heater pack from the power source to prevent unsafe operation. The thermal fuse is non-replaceable so the entire heater pack must be replaced. However, after an abnormal event where the thermal fuse had to open, the heater pack should be replaced anyway. Thermoscreens recommend only competent qualified persons service the DTAC. This appliance is permitted to have its power supplied through an external switching device without issue, such as through a field-supplied timer or door switch apparatus.

### SERVICE, MAINTENANCE AND STORAGE

Always disconnect the main electrical supply before installing, maintaining or repairing this equipment. All maintenance/repairs should only be carried out by a competent electrician or Thermoscreens appointed technician. To ensure the DTAC operates efficiently, the air inlet and outlet grilles, fan impellers, housings, heaters and motors must be kept free of dust and debris. Regularly vacuum and clean any build-up of dirt and debris within the DTAC. The motor is permanently lubricated and needs no re-oiling. Once the DTAC has been cleaned, check all electrical connections within the unit ensuring terminals are tight and crimped connections have not become loose. If the outer casing requires cleaning this should be carefully done using a damp soft cloth. Do not use solvents or abrasive materials. Restore the electrical supply and fully function test the DTAC to ensure correct operation. If the unit must be put into storage for any reason, ensure the DTAC casing, cord and plug are protected from mechanical damage, including from being crushed by heavy items. Store in a cool dry place to avoid corrosion.

### WARRANTY

If any problems are encountered, please contact the Thermoscreens warranty department at [warranty@carver-na.com](mailto:warranty@carver-na.com) or toll-free at (877) 227-7822. All units are covered by a one-year warranty. Subject to availability we undertake to repair or exchange this product. Care has been taken in compiling these instructions to ensure they are correct, although Thermoscreens disclaims all liability for damage resulting from any inaccuracies and/or deficiencies in this documentation. Thermoscreens retain the right to change the specifications stated in these instructions.